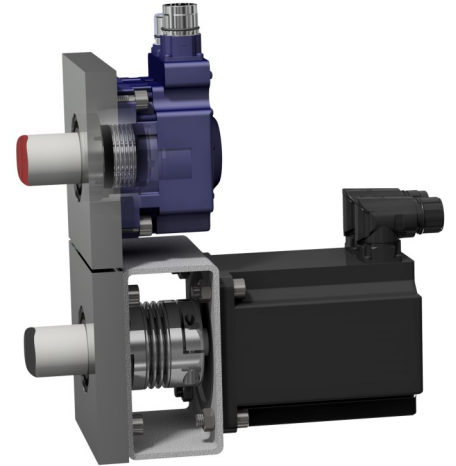
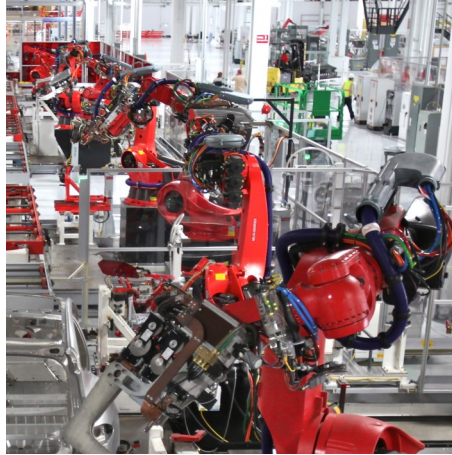
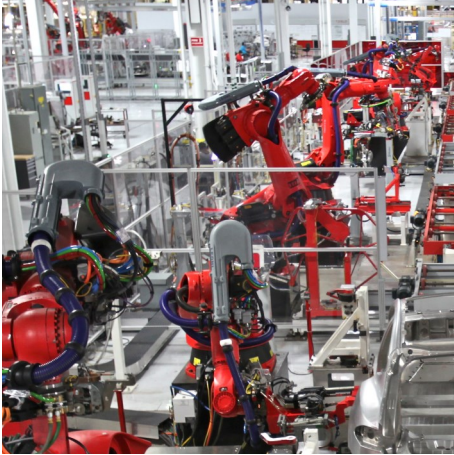
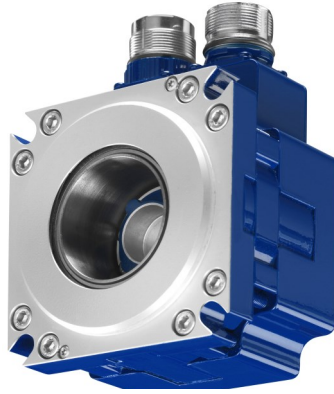


ULTRA COMPACT MOTORS



Comparison with reference motor

ICM The Coupmotor[®]

Compact

- Patented Ultra Compact Design
- Integrated Coupling
- Integrated Feedback
-

Reliable

- Maintenance free
- Robust construction
- High protection class
- Accurate positioning

Powerful

- High torque
- Low inertia
- High torsional stiffness
- Low weight



Industries

- Military
- Marine
- Robotics
- Manufacturing
- Automotive
- Construction

The patented technology Coupmotor[®] with integrated coupling, enables even more compact installation of the ICM motors.

The motors are available in 92 and 140 mm frame sizes, in a torque range from 2.3Nm to 18Nm (low speed), rated 3000rpm and wound for 230 or 400VAC. All motors can be supplied with or without brake.

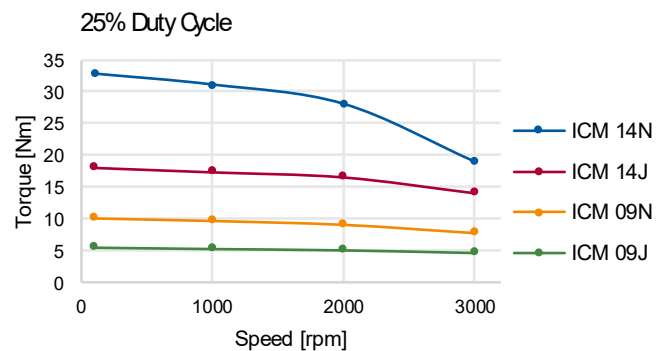
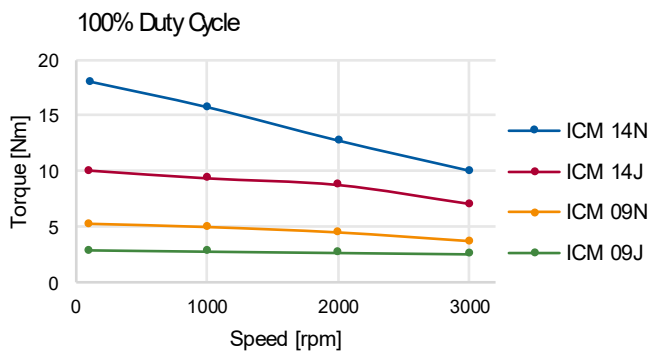
The standard motor is equipped with straight connectors, resolver feedback, PTC thermal sensor and IP-65 protected. As options the motor can be ordered with a variety of feedback systems, angled connectors, IP-67 protected and with pressurized air connection.

Please see <http://www.hdd.se> for more details and other motor models.

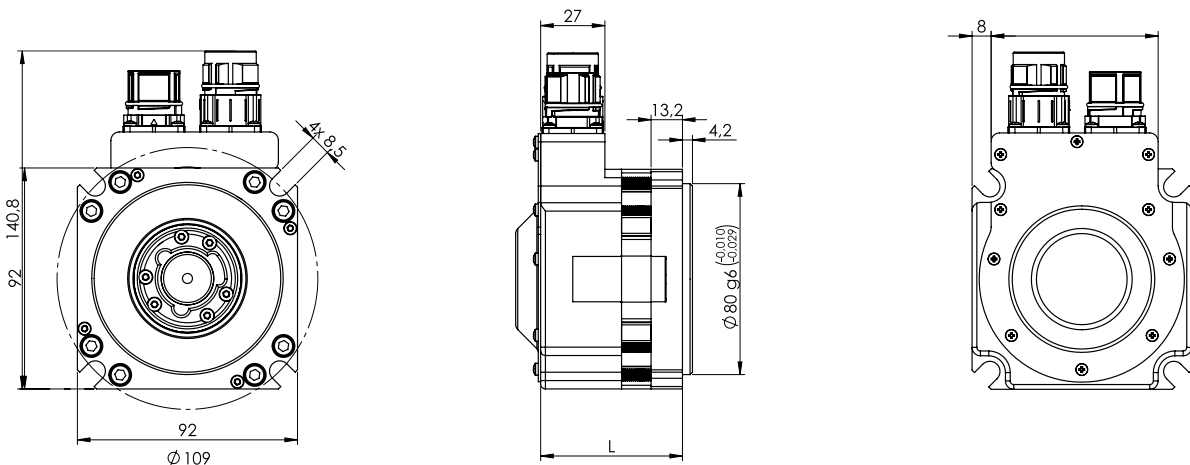
Technical data

Type	Torque		Speed n	Winding Ma (230 VAC)		Winding Pa (400 VAC)		Length*		Mass**	Inertia**
	M0	Mn		I0	In	I0	In	w/o brake	with brake		
	[Nm]	[Nm]		[A rms]	[A rms]	[A rms]	[A rms]	[mm]	[mm]		
ICM09J	2.8	2.3	3000	4.3	4.0	2.5	2.3	59.6	85.1	2.1	2.6
ICM09N	5.2	3.6	3000	7.4	6.3	3.9	3.3	87.2	112.7	3.0	5.5
ICM14J	10.0	7.0	3000	14.0	10.6	7.0	5.3	80.9	80.9	5.7	13.7
ICM14N	18.0	10.0	3000	20.5	12.6	12.5	7.7	114.1	114.1	9.2	33.6

* Housing length without feedback cover. **With resolver feedback and without brake.



ICM 09 measurements



Specifications can be changed without notice. Reservation for printing error.