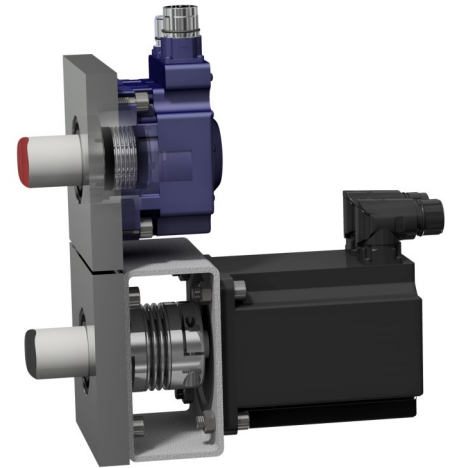
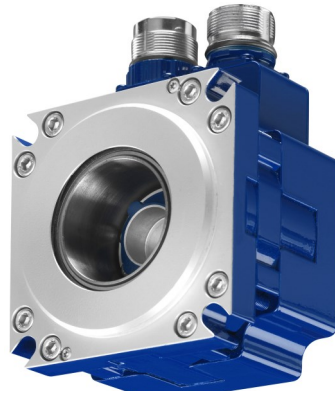


ULTRA COMPACT MOTORS



Comparison with reference motor

ICM Internal Coupling Low Voltage Motors

Compact

- Patented Ultra Compact Design
- Integrated Coupling
- Integrated Feedback

Reliable

- Maintenance free
- Robust construction
- High protection class
- Accurate positioning

Powerful

- High torque
- Low inertia
- High torsional stiffness
- Low weight



Industries

- Military
- Marine
- Robotics
- AGV's
- Battery supported vehicles
- Mobile machinery



The patented technology with integrated coupling, enables even more compact installation of the ICM motors. The ICM 09 Low Voltage Motors are built with the same technology as our traditional AC servomotors. However, they have a coarser winding to cope the higher currents when controlled by a low voltage servo drive. Suitable for battery operated applications such as AGVs, robotics, mobile machinery and other applications traditionally using DC servo motors.

The motors are available in 92 mm frame size, in a torque range from 2.3Nm to 3.6Nm (low speed), rated 3000rpm and wound for 48V. Motors can be supplied with or without brake.

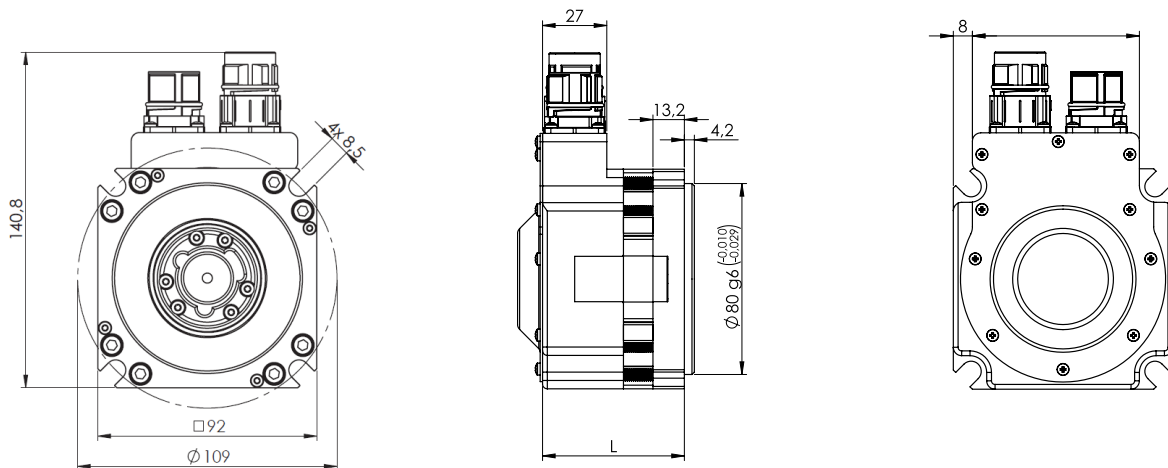
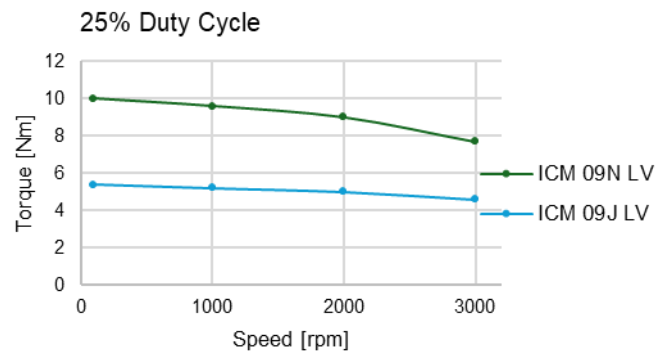
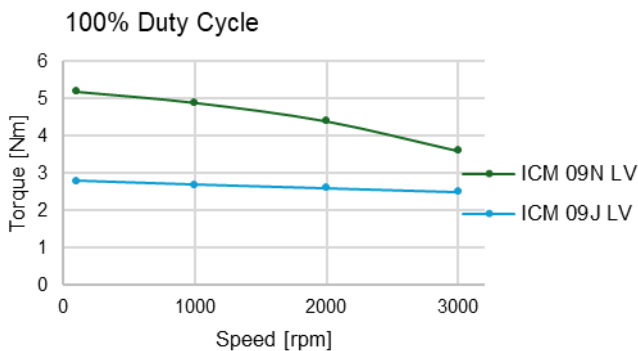
The standard motor is equipped with straight connectors, resolver feedback, PTC thermal sensor and IP-65 protected. As option the motor can be ordered with a variety of feedback systems, angled connectors, IP-67 protected and with pressurized air connection.

Please see <http://www.hddservo.com> for more details and other motor models.

Technical data

Type	Torque		Speed	Winding Fa (48V)		Length*		Mass**	Inertia**
	M0	Mn		IO	In	w/o brake	with brake		
	[Nm]	[Nm]	[rpm]	[A rms]	[A rms]	[mm]	[mm]	[kg]	[kgcm ²]
ICM09J LV	2.8	2.3	3000	28	28	59.6	85.1	2.1	2.6
ICM09N LV	5.2	3.6	3000	47	40	87.2	112.7	3.0	5.5

* Housing length without feedback cover. **With resolver feedback and without brake.



Specifications can be changed without notice. Reservation for printing error.