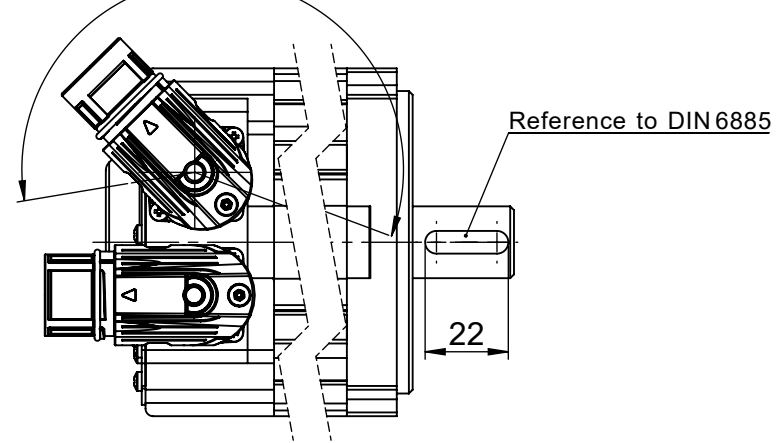


Connector Rotatable >210°

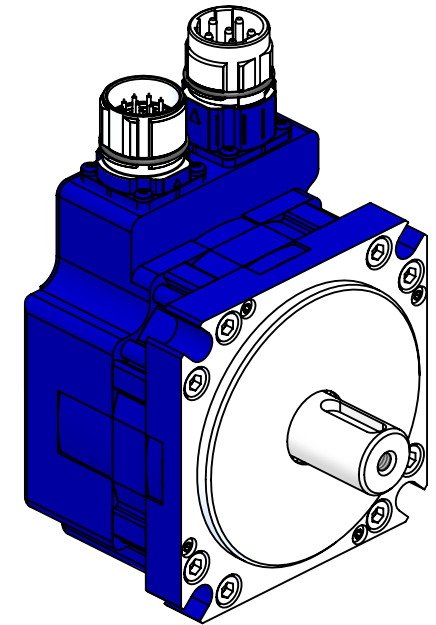
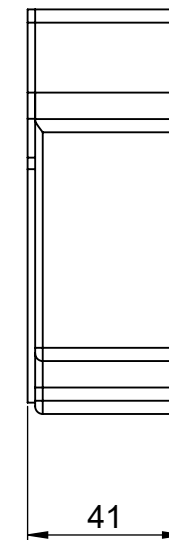
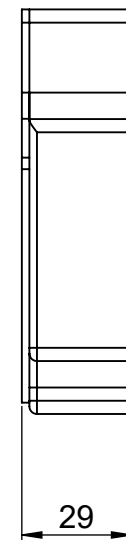
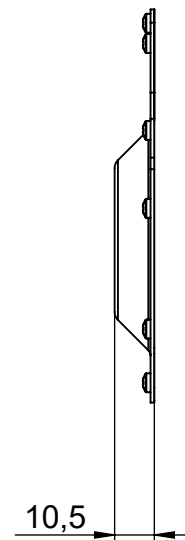
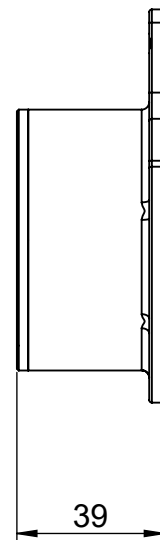


SICK SinCos Transducer  
SRS/SRM50 (Hiperface)

Resolver And  
Heidenhain  
ECI118 (EnDat)

Heidenhain  
ECI1319  
EQI1331

Heidenhain  
ECN1313 (EnDat)  
ECN1325 (SIL)  
ERN1385  
EQN1325 (EnDat)  
EQN1337 (SIL)



Other feedback-options available upon request.

HDD09 LV			
Type	E	J	N*
L=	47,2	59,6	87,2
Incl. Brake L=	72,7	85,1	112,7

\*HDD09N LV is only available with fixed cables.  
Specifications can be changed without notice.



DRAWING:

**HDD09 LV (Low Voltage)  
Mechanical Specifications**

A3